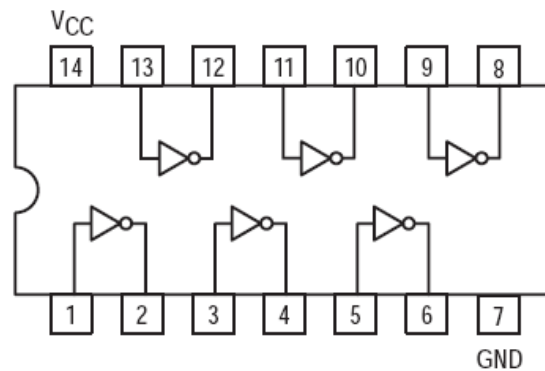
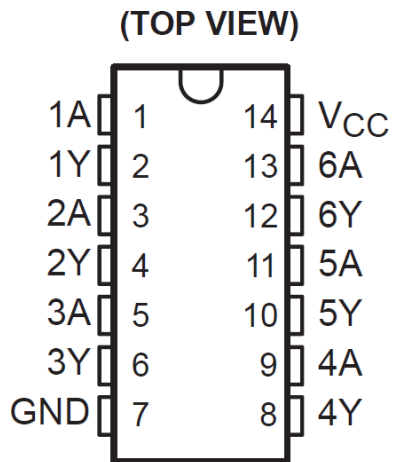


Hex Inverters

SN74LS04



Nominal voltages

V_{CC} (Supply voltage)	5.0 volts
V_{IH} (Input HIGH voltage)	2.0 volts
V_{IL} (Input LOW voltage)	0.8 volts
V_{OH} (Output HIGH voltage)	3.4 volts
V_{OL} (Output LOW voltage)	0.2 volts